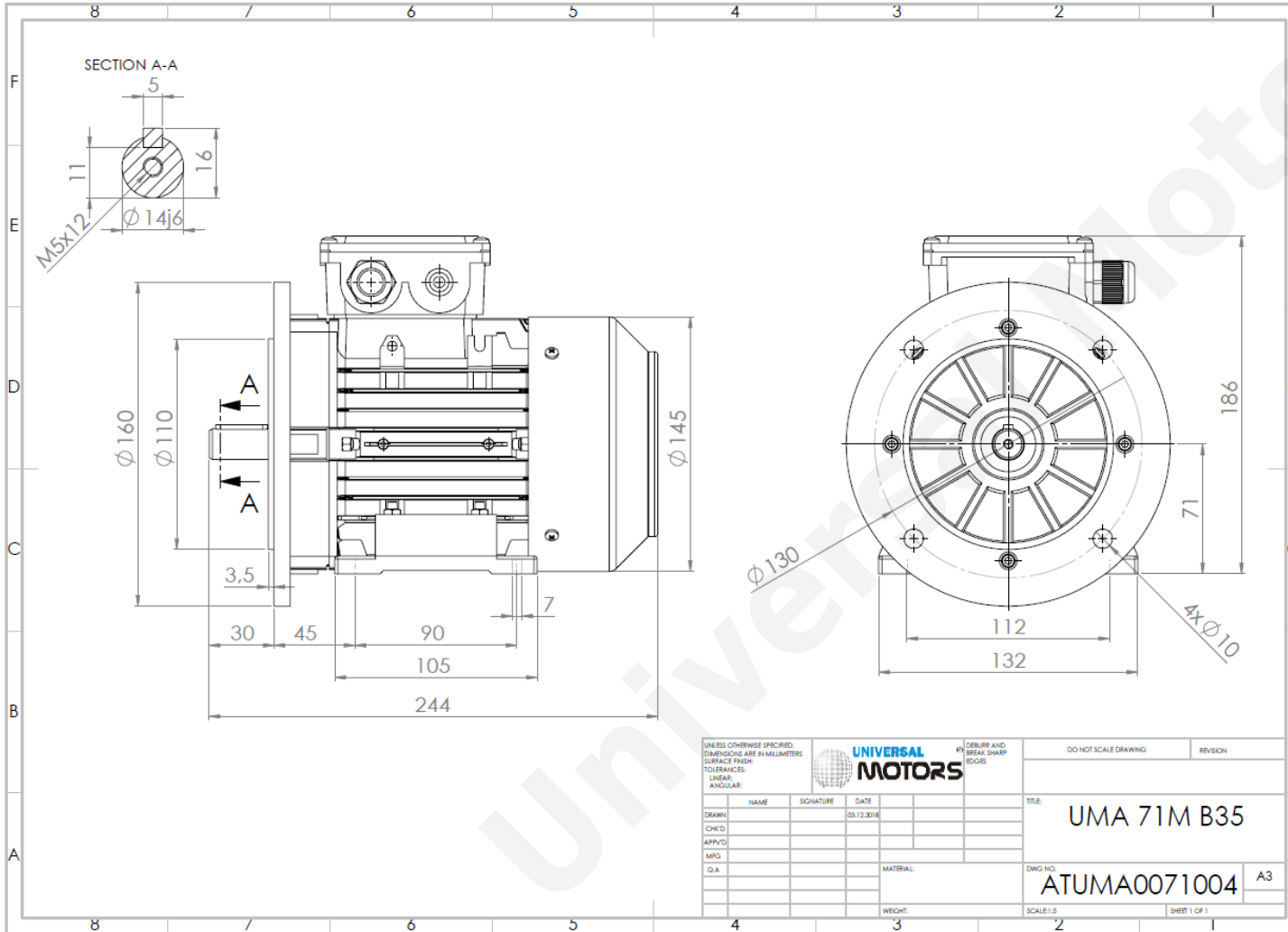




TECHNICAL DATA

Three Phase Electric Motors - Aluminum Frame
 UM2A 71M2-4
 0.37 kW / 0.50 Cv
 1400 RPM



| | |
|-----------------------------|--------------------------|
| Motor type: | UM2A 71M2-4 |
| Output: | 0.37 kW / 0.50 Cv |
| Speed (min ⁻¹): | 1400 RPM |
| Frequency: | 50 Hz |
| Voltage: | 400 V |
| Current: | 1.01 A |
| Power factor (Cos Ø): | 0.73 |
| Poles: | 4 |
| Insulation class: | F |
| Temperature rise Class: | B |
| Efficiency 50%: | 69.2 % |
| Efficiency 75%: | 73.0 % |
| Efficiency 100%: | 72.7 % |
| Torque: | 2.55 N.m |
| Tstarting/Tnominal: | 2.4 |
| Istarting/Inominal: | 4.7 |
| Tmaximum/Tnominal: | 2.5 |
| Noise: | 55 Db(A) |
| Weight: | 6.3 Kg |
| Brake AC: | AC2 |
| Torque Brake DC: | 4 N.m |
| Bearing DE: | 6202 2Z |
| Bearing NDE: | 6202 2Z |
| Torque Brake AC: | 15 N.m |
| Brake DC: | REB-05-06 |

Regime - S1 **Altitude - 1000m** **Environment Temperature - 40°C**

CONTACTS:
 UNIVERSAL MOTORS Tel: +351 252 299 080
 Rua de São Brás,745 Fax: +351 252 299 089
 4480-782 VILA DO CONDE Mail: geral@universalmotors.pt

* References applied only in the UK